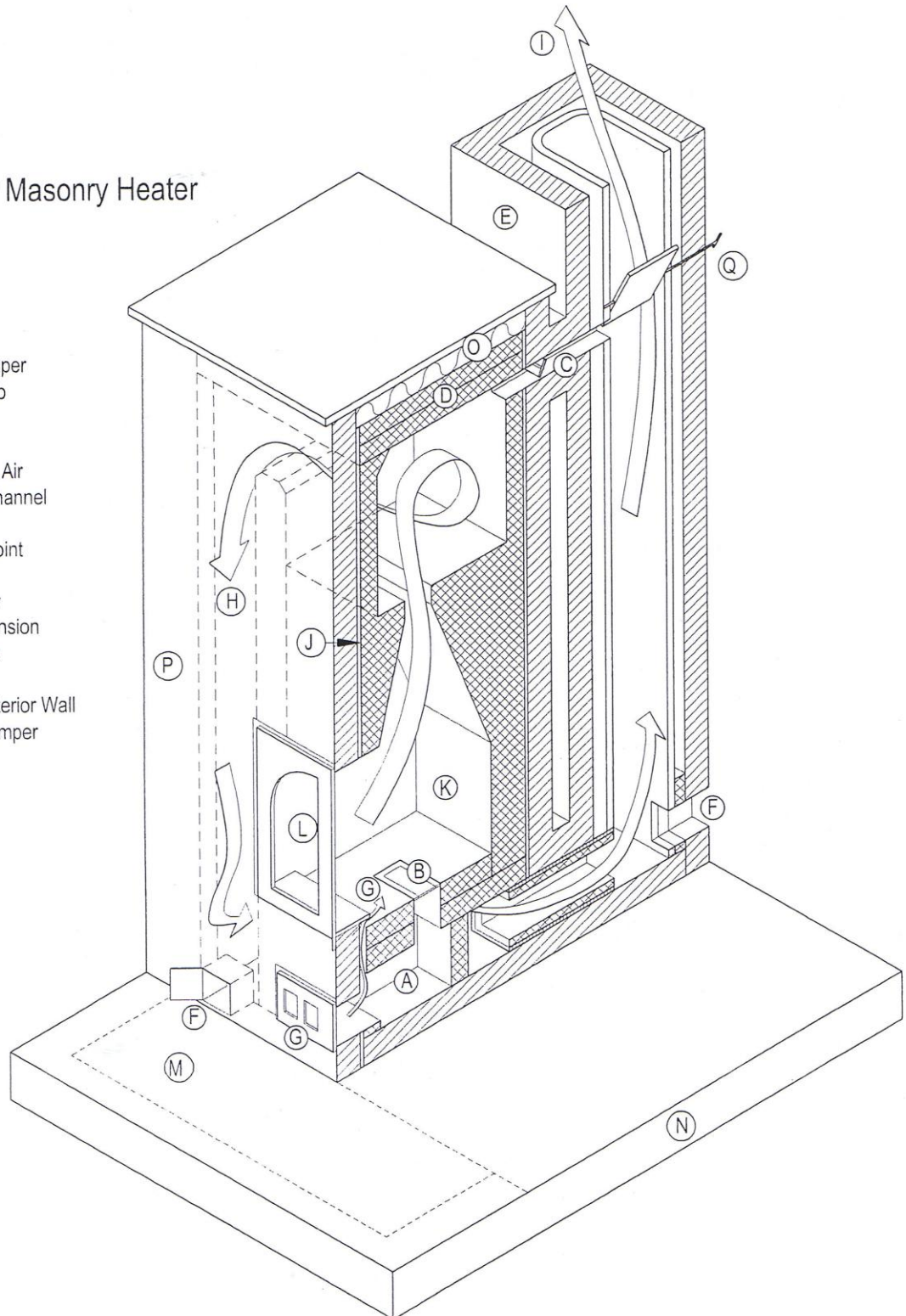
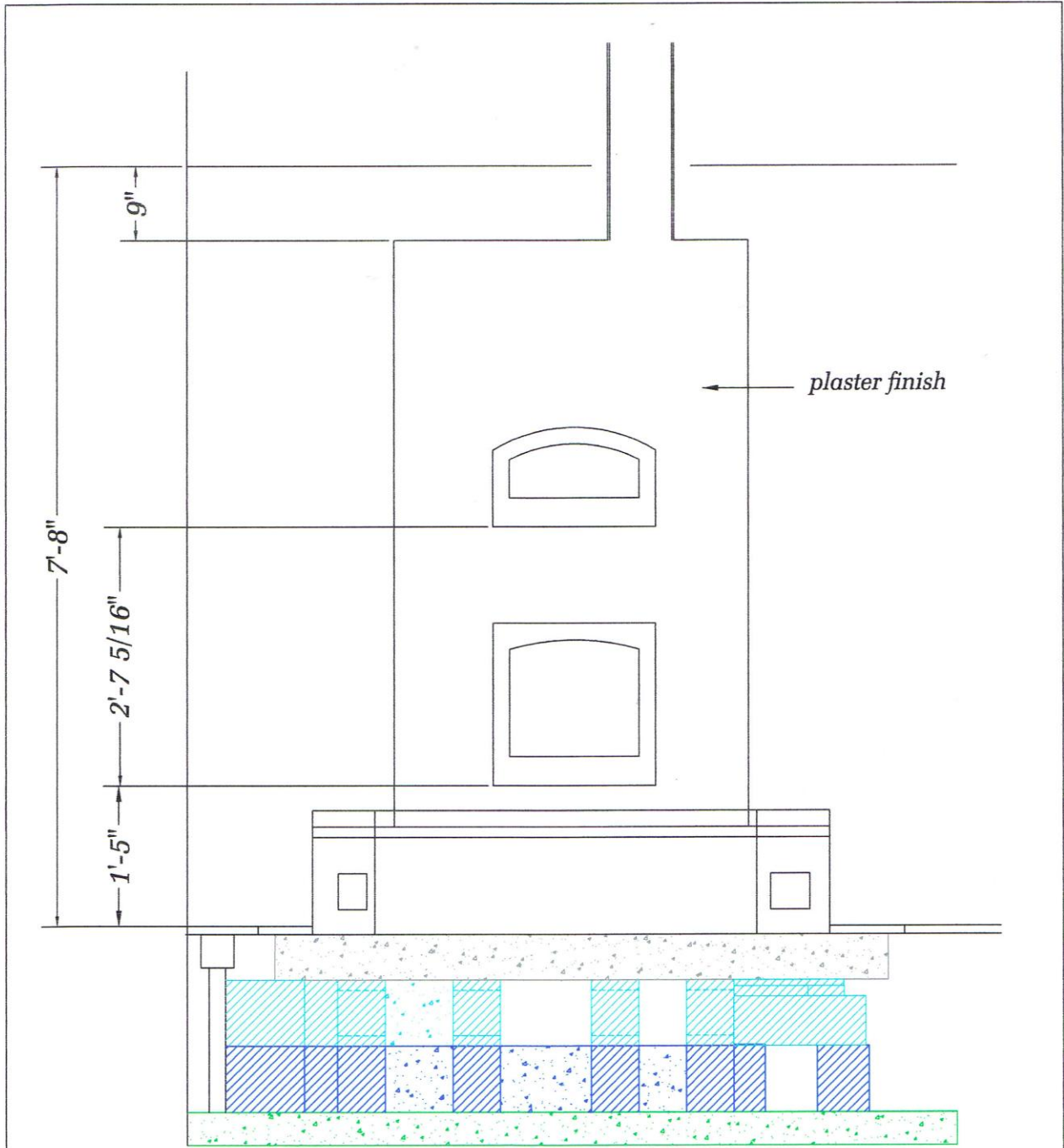


# Masonry Heater Designs

## Contraflow Masonry Heater (Finnish)

- A. Ashbox
- B. Ash Dump
- C. Bypass Damper
- D. Capping Slab
- E. Chimney
- F. Clean-Out
- G. Combustion Air
- H. Downdraft Channel
- I. Exhaust Gas
- J. Expansion Joint
- K. Firebox
- L. Firebox Door
- M. Hearth Extension
- N. Heater Base
- O. Insulation
- P. Masonry Exterior Wall
- Q. Shut-Off Damper





<b>SoundFinishes</b> 800 Sleater Kinney Rd SE #131 Lacey, WA 98503 360-456-0643	Sandoval 1318 Lebanon St SE; Lacey WA	Front Exterior Elevation scale: 3/4"=1'-0"	
	LR Heater	date: 10/31/08	rev: 11/5/08
		by: PS	E1

